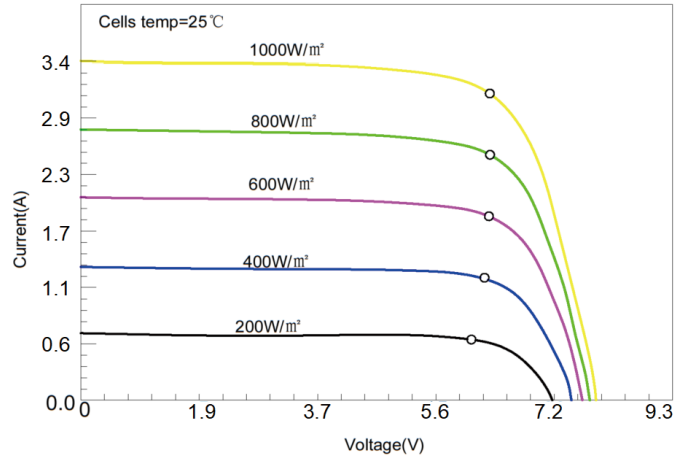
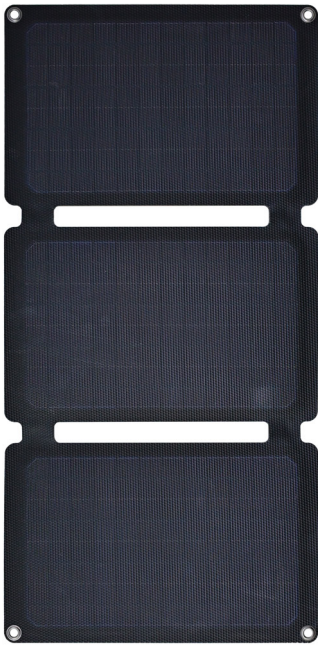




Portable Solar Panel (BXF-N-3*7W)



Product Description

Sungold BXF series (BXF-N) uses advanced technology that laminated the ETFE, solar cells, and backsheet together, using laser cutting to make the holes, it looks much more aesthetic, most importantly waterproof and with a longer lifespan.

There is a patent quick charge USB for panels over 28W.

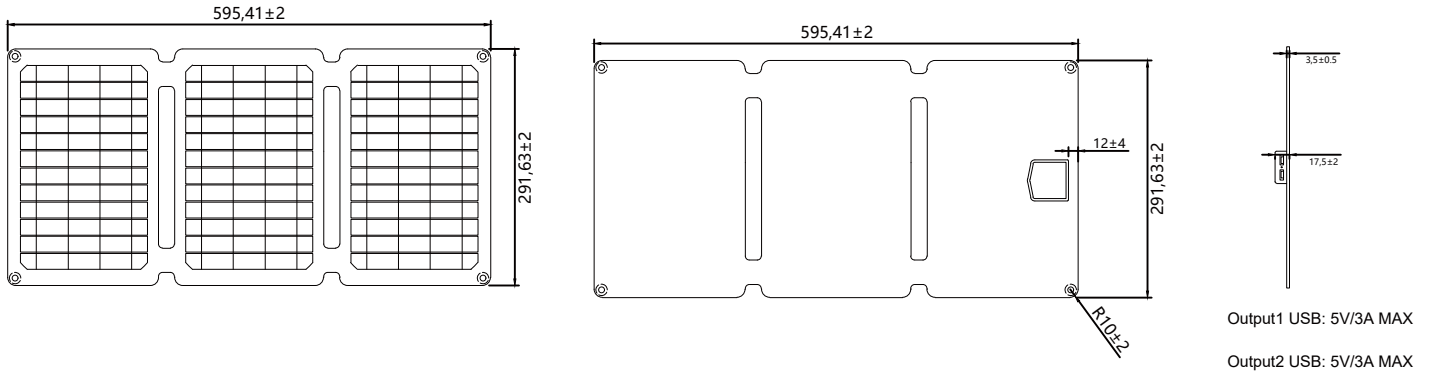
Features

1. Polygonal hanging hole; humanized design, you can easily hang tents or backpacks on the surface.
2. Sufficient battery, longer power supply; there is electricity when there is light, solar portable direct charging, continuous charging.
3. Regulated output; dual USB-5V regulated output, charging safety is guaranteed.
4. Easy to unfold and portable, mountaineering, hiking, camping, cycling, traveling, fishing, etc.





Module Diagram



Product Parameters

Model	BXF-N-7W	BXF-N-2*7W	BXF-N-3*7W	BXF-N-4*15W	BXF-N-4*25W
Maximum power(Pmax)	7W	2x7W	3x7W	4x15W	4x25W
Open-circuit voltage(Voc)	7.7V	7.7V	7.7V	25.6V	23.0V
Voltage at Pmax(Vmp)	6.6V	6.6V	6.6V	21.6V	19.8V
Short-circuit current(Isc)	1.20A	2.30A	3.43A	2.90A	5.40A
Current at Pmax(Imp)	1.00A	2.12A	3.18A	2.80A	5.10A
Cells efficiency(%)	20.03%			21.44%	
The maximum system voltage	25V DC(IEC)			100V DC(IEC)	
Power temperature coefficient	-0.43%/°C				
Voltage temperature coefficient	-0.34%/°C				
Current temperature coefficient	0.05%/°C				
Output power tolerance	±3%				
Operating temperature	-10~60°C				
Waterproof junction box	IP67				
Certificate	ROHS; CE				
Solar cell	Mono				
Warranty	1 year and service life 5 years				
Unfold size	188*292*14mm	392*292*3mm	596*292*3mm	1281*364*4mm	1565*427*18mm
Folded size	188*292*14mm	292*195*15mm	292*195*37mm	364*321*35mm	427*427*27mm
Output	USB	USB	USB1; USB2	USB; Type-C; DC5521	MC4
Packing	1 set in 1 mailer box, 20 sets in 1 outer carton			1 set in 1 mailer box, 10 sets in 1 outer carton	

*SUNGOLD offer customize service, please refer to our website or ask SUNGOLD workers for more sizes and the latest parameters.