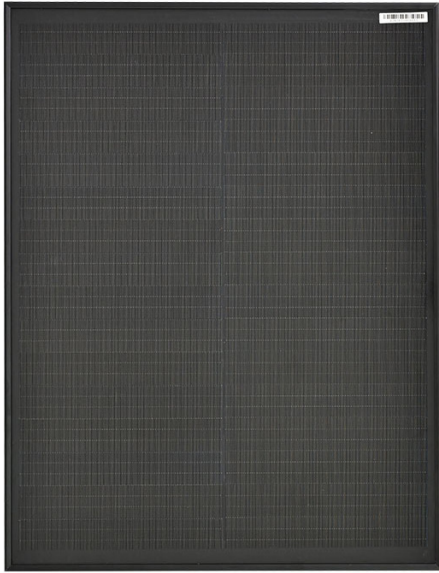
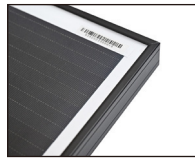


Product Details

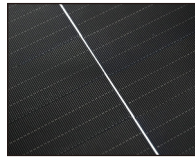
RIGID SOLAR PANEL SGD-M2-50W



MC4

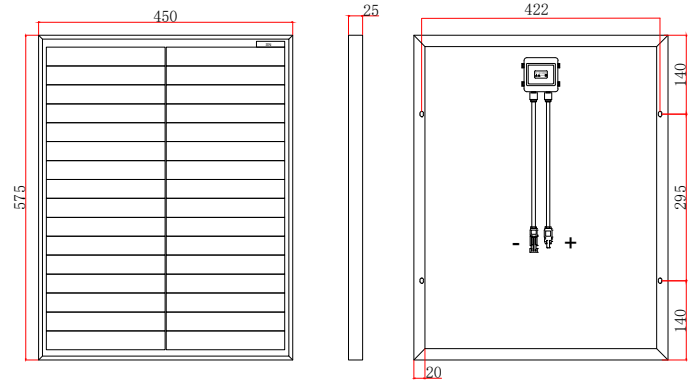


Aluminum frame



Tempered glass

Module Diagram



Electrical Characteristics

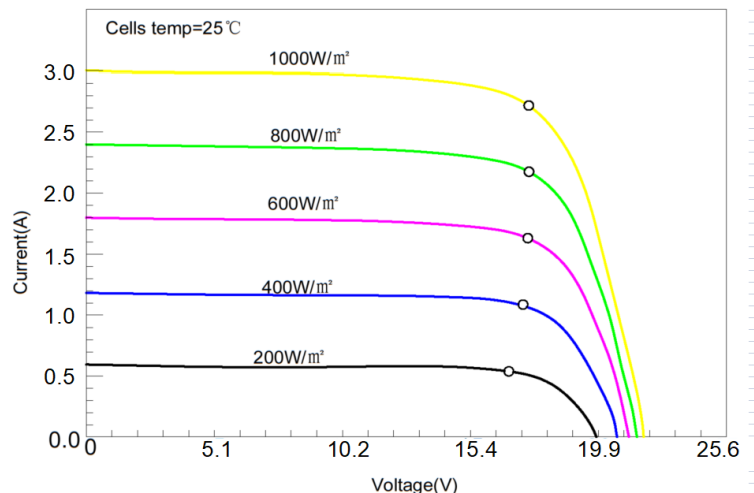
Maximum power(Pmax)	50W
Open-circuit voltage(Voc)	21.5V
Voltage at Pmax(Vmp)	18.2V
Short-circuit current(Isc)	2.91A
Current at Pmax(Imp)	2.75A
Cells Efficiency(%)	22.00%
The maximum system voltage	600V DC(IEC)
Power temperature coefficient	-0.38%/°C
Voltage temperature coefficient	-0.36%/°C
Current temperature coefficient	0.07%/°C
Output power tolerance	±3%
Operating Temperature	-40°C~85°C

Specifications

Solar cell brand	A grade mono solar cells 210mm
No.of cells and connections	32(2*16)
Module dimension	575*450*25mm
Weight	2.79-KG
Output cable	1*diodes + 900mm/2.5mm ² cable+MC4 compatible
Waterproof	IP65
Certifications	CE, ROHS
Warranty	10-year warranty, 25-year service life

Product Introduction

Zero pitch of solar cells is achieved by adopting Shingled technology. It significantly reduces the package gap and maximizes the use of solar module space. Pre-drilled holes on the back of the panel allow for quick installation and fastening, making it ideal for off-grid applications such as RVs, rooftops, cabins, yachts, etc.



*SUNGOLD offer customize service, please refer to our website or ask SUNGOLD workers for more sizes and the latest parameters.