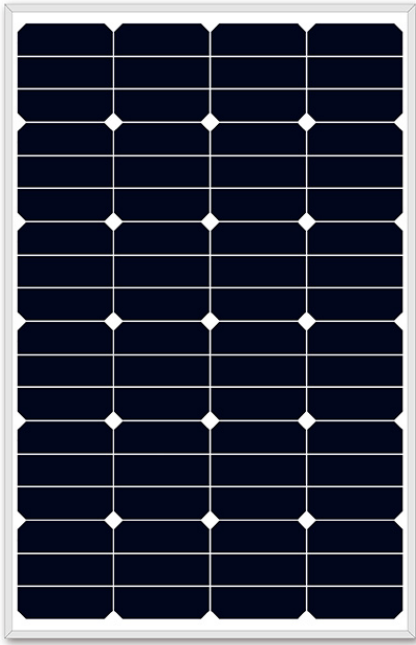
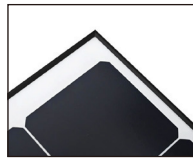


Product Details

RIGID SOLAR PANEL SGSP-90W



MC4

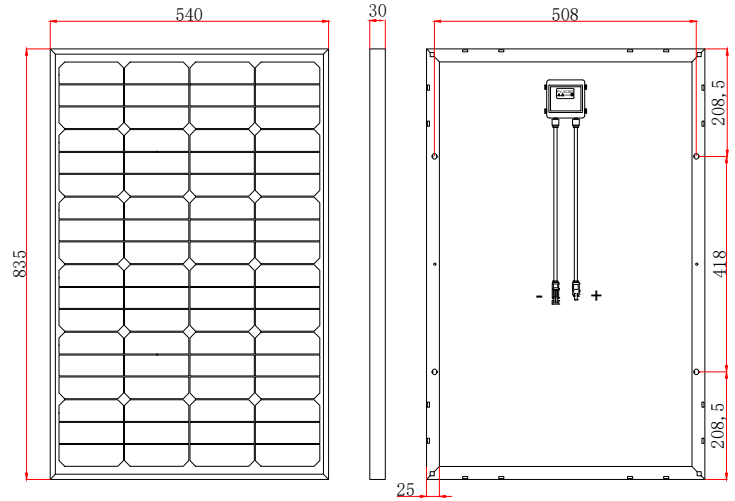


Aluminum frame



Tempered glass

Module Diagram



Electrical Characteristics

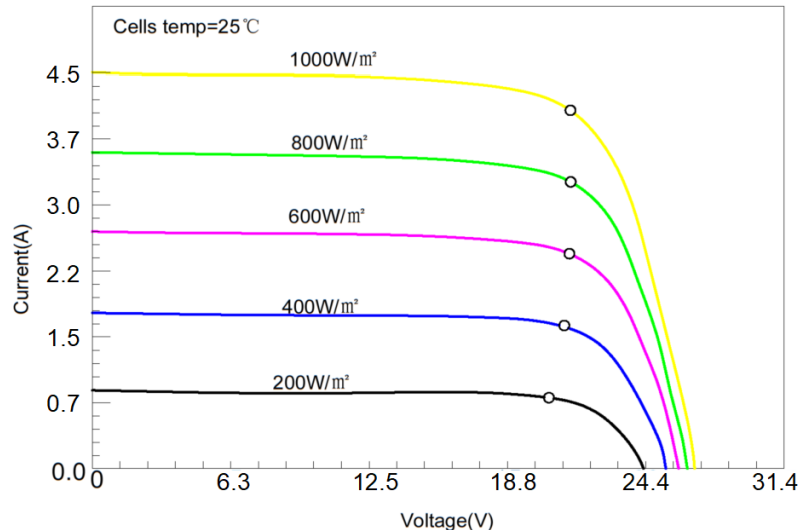
Maximum power(Pmax)	90W
Open-circuit voltage(Voc)	26.4V
Voltage at Pmax(Vmp)	22.3V
Short-circuit current(Isc)	4.28A
Current at Pmax(Imp)	4.04A
Cells Efficiency(%)	24.40%
The maximum system voltage	600V DC(IEC)
Power temperature coefficient	-0.27%/°C
Voltage temperature coefficient	-0.236%/°C
Current temperature coefficient	0.058%/°C
Output power tolerance	±3%
Operating Temperature	-40°C~85°C

Specifications

Solar cell brand	SUNPOWER
No.of cells and connections	72(4*18)
Module dimension	835*540*30mm
Weight	5.09KG
Output cable	1*diodes + 900mm/4mm ² cable+MC4 compatible
Waterproof	IP65
Certifications	CE, ROHS, FCC
Warranty	10-year warranty, 25-year service life

Product Introduction

Sungold SGSP series rigid solar panels are made with Sunpower solar cells and offer high energy conversion efficiency and better solar panel performance. With a reinforced aluminum frame and tempered glass, the solar panels are compact and wind (2400 Pa) and snow (5400 Pa) resistant for worry-free outdoor use.



*SUNGOLD offer customize service, please refer to our website or ask SUNGOLD workers for more sizes and the latest parameters.